

## Ran<sup>®</sup> 1/4" (6.35 mm)

### Polypropylene Body Diaphragm Pump

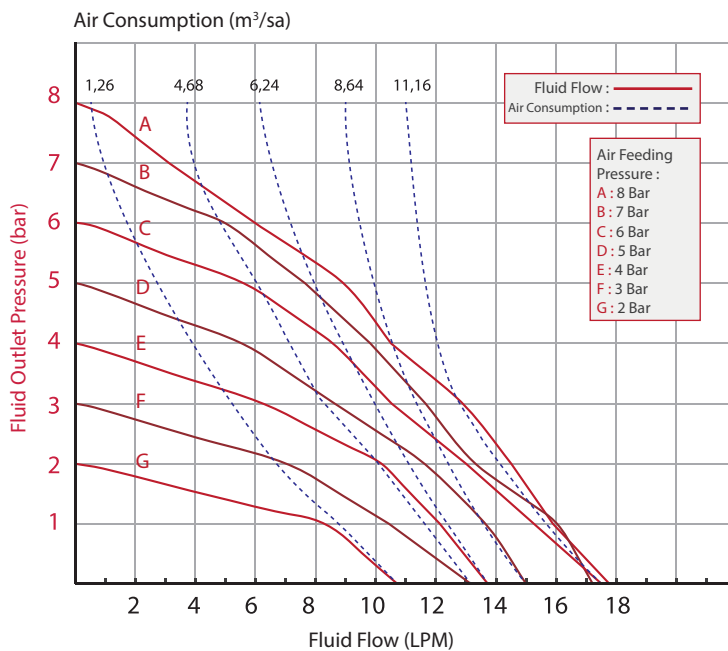


### Technical Specifications

Pump Code	A8-PS-1
Max. Flow Rate	18 lpm
Max. Pump Speed	250 cpm
Displacement per cycle	0.072 liter
Fluid Inlet- Outlet Size	1/4" NPT
Air Inlet Size	1/8"
Max. Fluid Working Pressure	8 bar
Max. Air Consumption (at 5 bar)	8.64 m <sup>3</sup> /h
Ratio	1:1

Pump Housing Material	Polypropylene
Center Section Material	Polypropylene
Max. Size Pumpable Solids	1 mm
Max. Suction Lift	9.5 m (Wet) 2.5 m (Dry)
Max. Operating Temperature	80 °C
Sound Level	61 dBA (at 5 bar)
Diaphragm Material	TPE
Check-Valve Material	TPE
Weight	1.2 kg

### Performance Curves



**Made in Turkey**

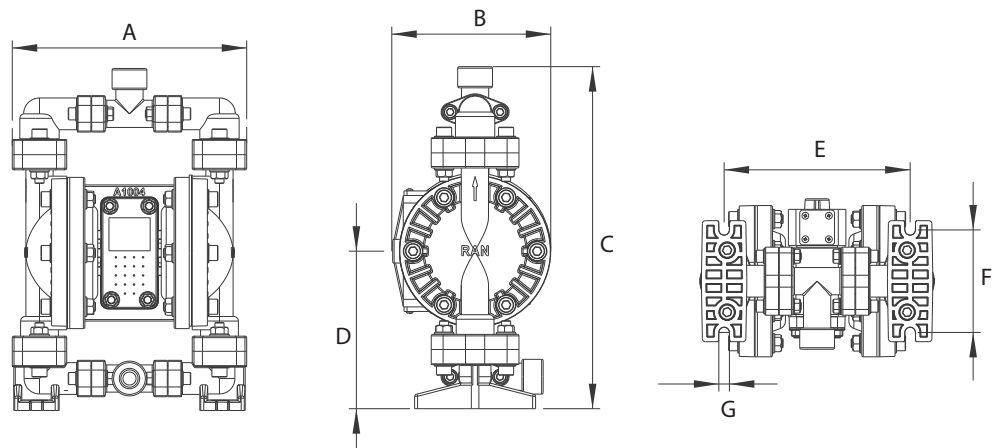


**Test Conditions:** All tests are made with water. Suction hose submerged in the fluid. Muffler not used. All the values are shown are approximate and not binding.

**Example:** To pump 10 lpm against a discharge pressure of 2 bar, requires 4 bar and 4.68 m<sup>3</sup>/h air consumption.

### Dimensions

A	155
B	104
C	230
D	104.5
E	123
F	70
G	7



All dimensions are in mm.